

# CubeSat Terminator Tape™

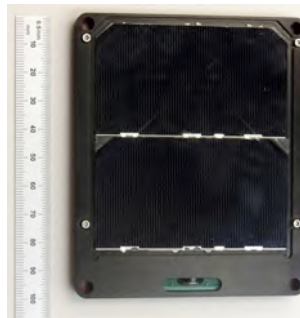
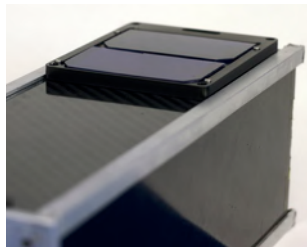
Affordable End-of-Mission Deorbit Module for CubeSats



The CubeSat Terminator Tape™ is a compact, lightweight module that enables your CubeSat to comply with post-mission orbital lifetime restrictions with minimal mass, volume, footprint, cost, and risk impacts to your program.

## How To Use It

- Mount the Terminator Tape on any face of your CubeSat using four #2-56 screws. Hole interface and electrical port positioning are shown below.
- Two 4x7 cm solar cells can be mounted to the top surface using the electrical feed-throughs provided.
- Upon completion of the CubeSat's mission, the CubeSat commands deployment of the Terminator Tape.
- The module deploys a conducting tape, which generates neutral particle drag and passive electrodynamic drag to hasten the deorbit of the CubeSat



## Specifications

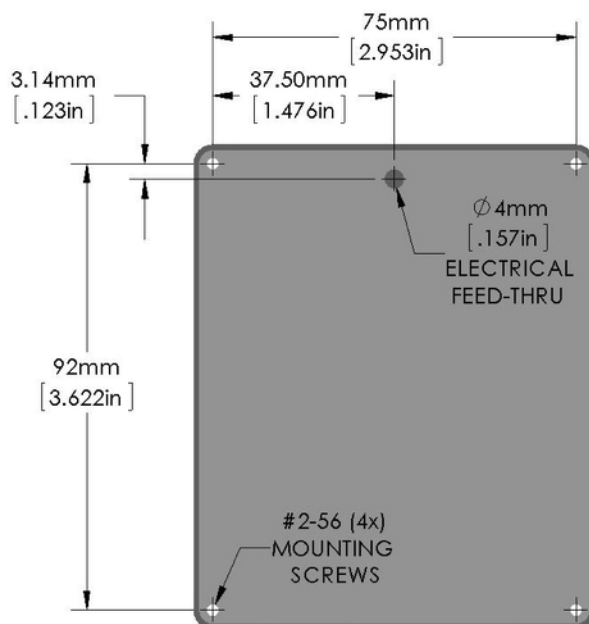
**Mass:** 83g

**Size:** 100mm x 83mm x 6.5mm

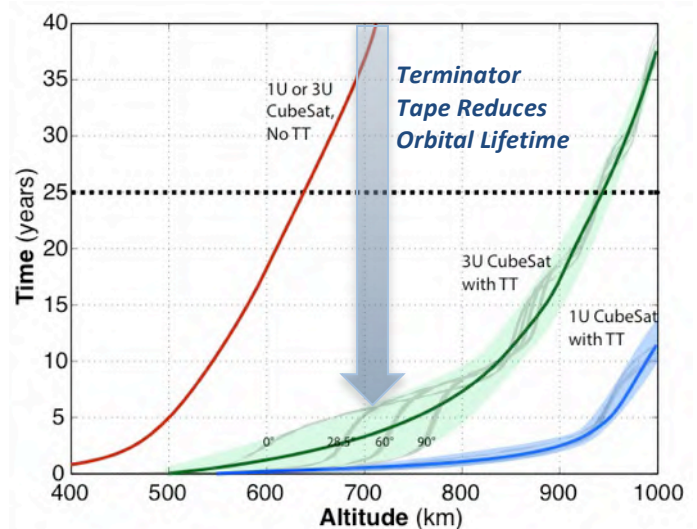
**Activation:** Terminator Tape utilizes a novel shape memory alloy (SMA) actuator to initiate deployment. The SMA actuator simply requires a constant source of low power for actuation. Nominal activation signal requirement is 200-300mA @ 3V at 20°C, 1 second. Full temperature test results pending.

Please contact Tethers Unlimited for additional information.

## Interface



## Performance



The Terminator Tape enables CubeSats to comply with 25-year lifetime restrictions in orbits up to 1200 km for 1U, and 950 km for 3U.